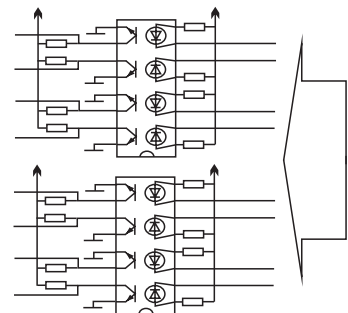
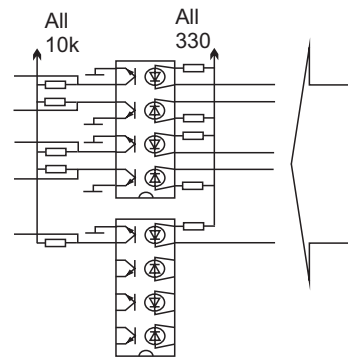
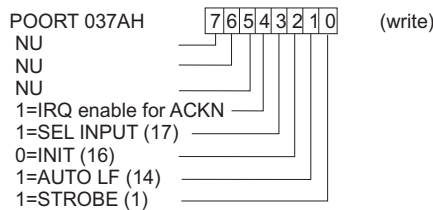
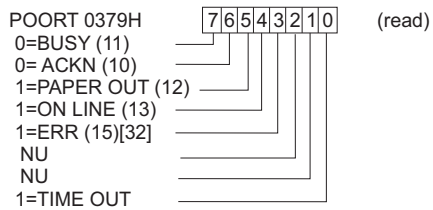
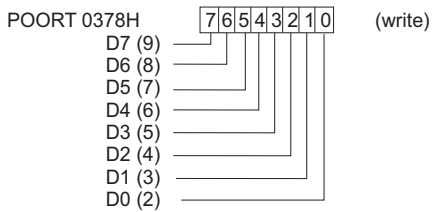


18-25 GND

### OPTO CNY 74.4



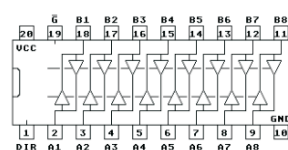
### De Centronics Poorten



### OPTO CNY 74.4

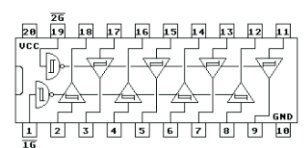


### 74245 Octal Bus Transceiver



Truth Table		
$\bar{G}$	DIR	Output
L	L	Bus B Data to Bus A
L	H	Bus A Data to Bus B
H	X	Isolation

### 74244 Octal Buffer/Line Driver



3-State Outputs

Truth Table			
$\bar{1G}$	$\bar{2G}$	D	Output
L	L	L	L
L	H	H	H
H	X	X	High Impedance

